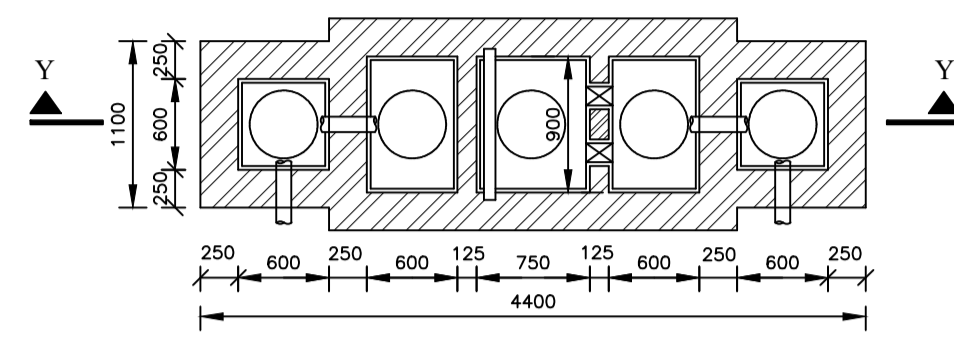
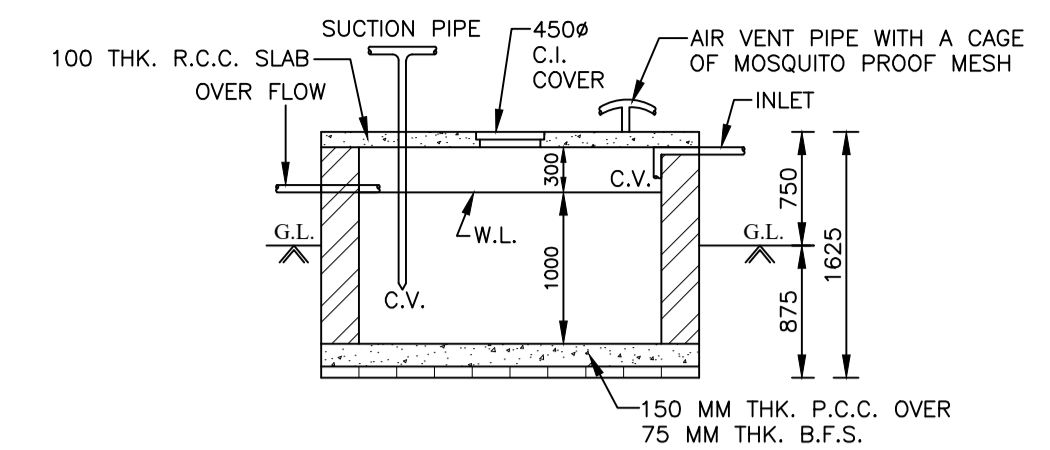


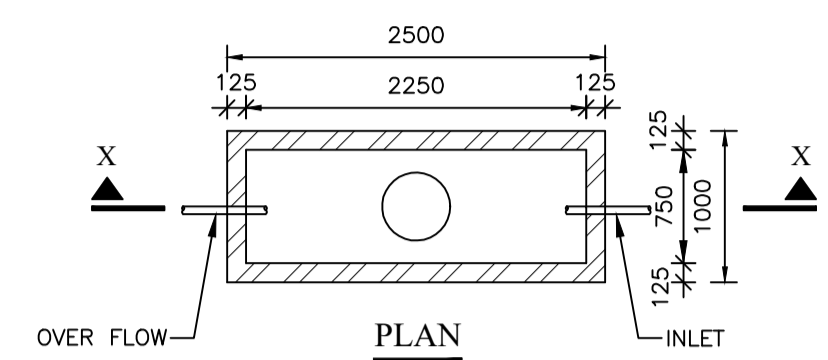
SECTION Y-Y



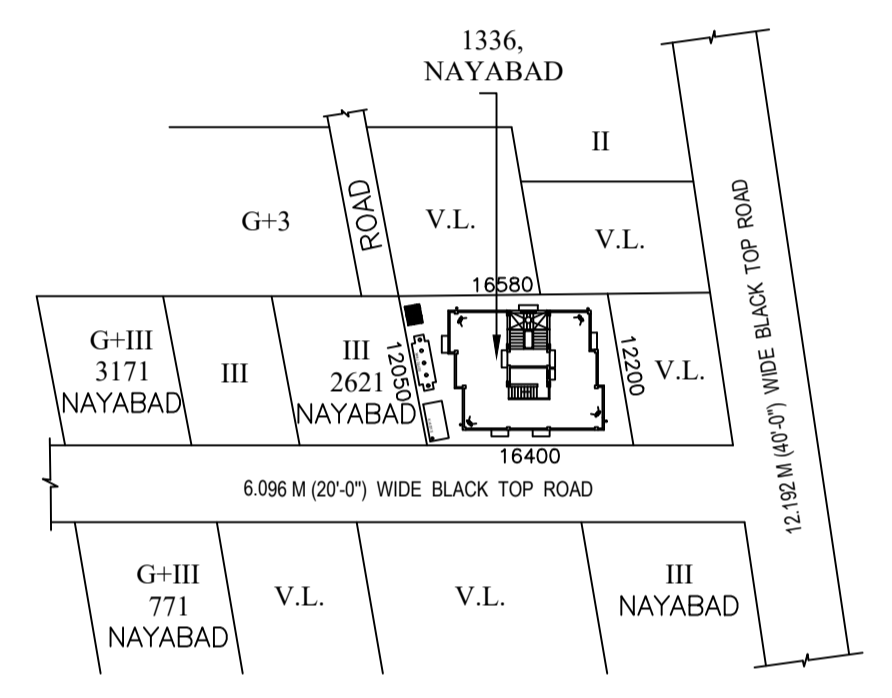
PLAN
DETAIL OF SEPTIC TANK (10 USERS)
SCALE - 1:50



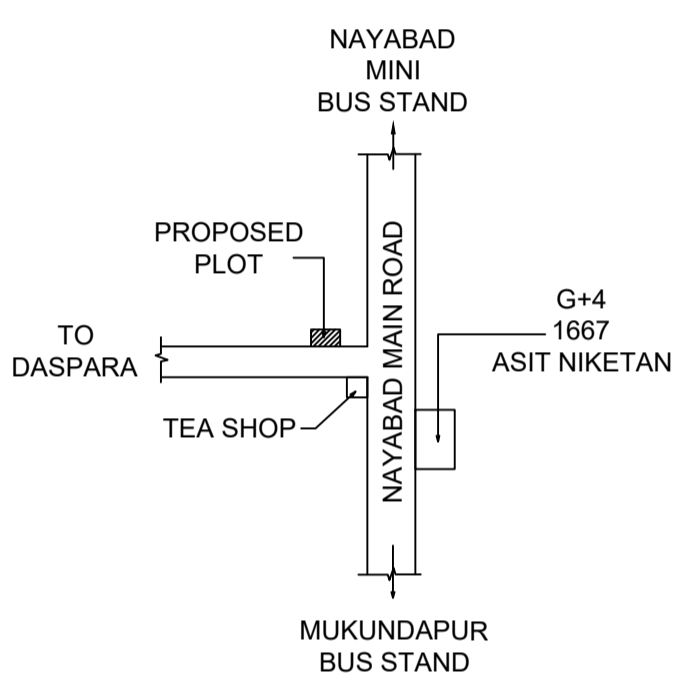
SECTION X-X



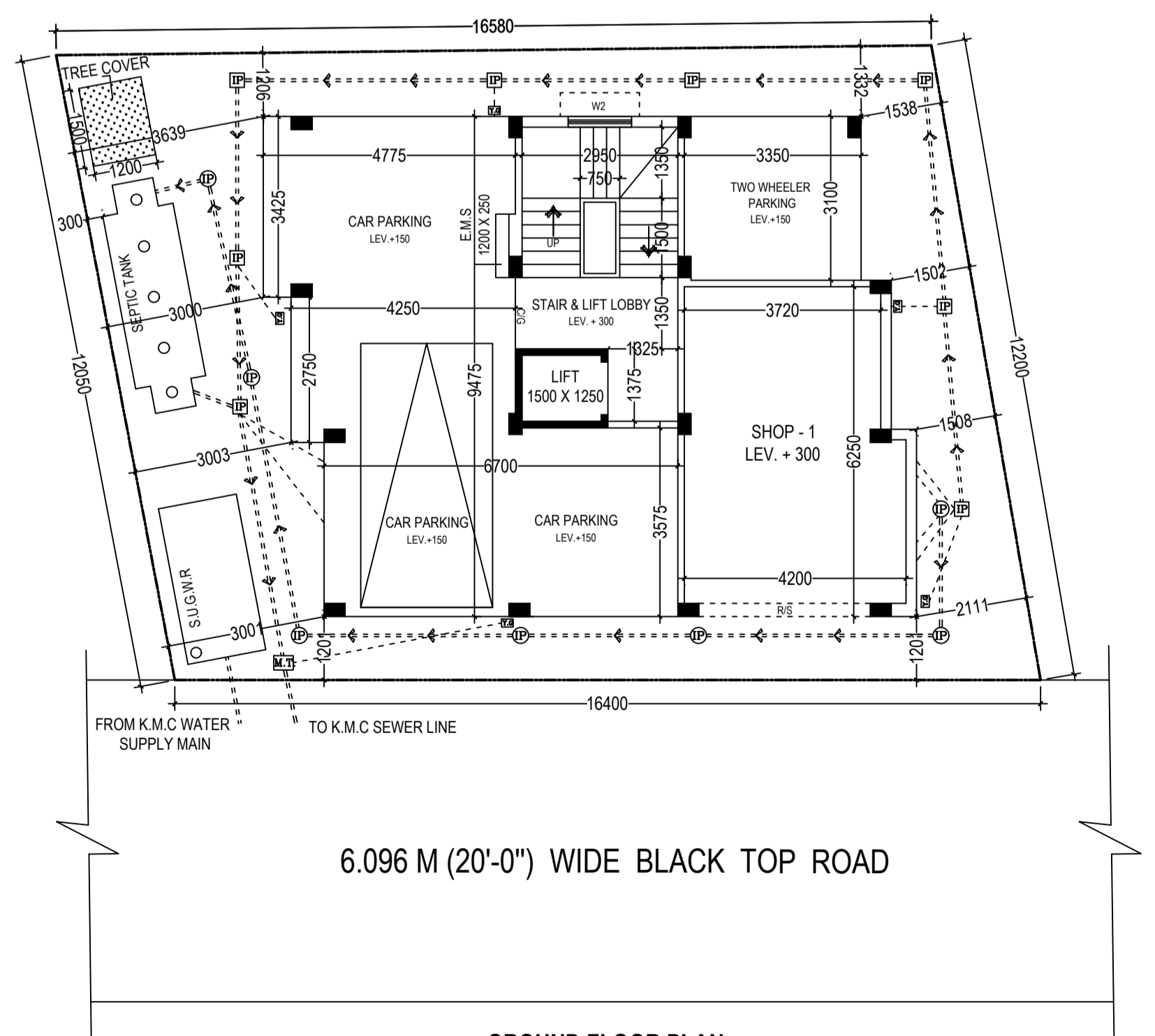
PLAN
S.U.G.W. RESERVOIR
CAP. - 400 GALS. (1800 Ltrs.)
SCALE - 1:50



SITE PLAN
SCALE-1:600



KEY PLAN
SCALE= (1:4000)



GROUND FLOOR PLAN
SCALE - 1:100

PART-A:
 01. ASSESSEE No. : 31-109-08-1336-9
 02. NAME OF THE OWNER AND APPLICANT : SRI AVISHEK MONDAL
 03. DETAILS OF REGISTERED DEED :
 BOOK No. : I VOL. No. : 1602-2023 PAGE No. :81411-81441
 BEING No.:160202087 DATE:23.02.2023 PLACE :D.S.R II, 24 Pgs.(S)
 04. DETAILS OF REGISTERED BOUNDARY DECLARATION :
 BOOK No. : I VOL. No. : 1630-2023 PAGE No. :36370-36381
 BEING No.:163001270 DATE:26.04.2023 PLACE :D.S.R V, 24 Pgs.(S)
 05. K.M.C. MUTATION CASE No: 0/109/01-MAR-23/47793, DATED-02.03.23
 06. No. OF STOREY = G+1+11
 07. No. OF TENEMENTS = 6 Nos.
 08. SIZE OF TENEMENTS : 50-75 SQM= 6 Nos.

DOOR & WINDOW SCHEDULE

TYPE	WIDTH	HEIGHT	TYPE	WIDTH	HEIGHT
D	1000	2100	W1	1500	1200
D1	900	2100	W2	1200	1200
D2	800	2100	W3	750	1200
D3	750	2100	W4	600	750

SPECIFICATIONS
 1. ALL GRADE OF CONCRETE - M20.
 2. ALL GRADE OF STEEL - Fe 415
 3. ALL OUTER WALL - 200mm THK. 1:6 MORTAR.
 4. ALL INTERNAL WALL-75mm THK WITH 1:4 MORTAR EXCEPT OTHERWISE MENTIONED.
 5. ALL PLASTER - 12mm THK WITH 1:4 MORTAR.
 6. ALL OTHER MATERIALS USED AS PER IS CODE :
 a) ALL SORTS OF PRECAUTIONARY MEASURES WILL BE TAKEN AT THE TIME OF CONSTRUCTION WHICH WILL NOT EXCEED THE LOAD BEARING WALL. THIS MEASURES INDICATES THE SEPTIC TANK & U.G.W.RESERVOIR MAINLY. b) ALL DIMENSIONS ARE IN MM.

PREMISSIBLE HEIGHT IN REFERENCE TO CCZM ISSUED BY AAI = 33 M. (V20)
 CO-ORDINATE IN WGS 84 AND SITE ELEVATION (AMSL)

REFERENCE POINTS MARKED IN THE SITE PLAN OF THE PROPOSAL	CO-ORDINATE IN WGS84		SITE ELEVATION (AMSL)
	LATITUDE	LONGITUDE	
A	N22°29'06"	E88°24'53"	6.0 M.
B	N22°29'06"	E88°24'53"	

THE ABOVE INFORMATION IS TRUE AND CORRECT IN ALL RESPECT AND IF AT ANY STAGE, IF IS FOUND OTHERWISE, THEN I SHALL BE LIABLE FOR WHICH KMC AND OTHER APPROPRIATE AUTHORITY RESERVE THE RIGHT TO TAKE APPROPRIATE ACTION AGAINST ME AS PER LAW.

C.C. / O.C. NO. - 2025120163 DATE- 20/11/2025

DIGITAL SIGNATURE OF E.E.(C)/BLDG./BR.- XII

DIGITAL SIGNATURE OF A.E.(C)/BLDG./BR.- XII

PART-B:
 01. AREA OF LAND :
 AS PER TITLE DEED (03 K - 00 CH - 00 SFT) = 200.668 SQM
 02. AS PER BOUNDARY DECLARATION = 196.933 SQM
 03. (i) PERMISSIBLE GROUND COVERAGE (60.00%) = 118.160 SQM
 (ii) EXECUTED GROUND COVERAGE (54.538%) = 107.403 SQM
 04. EXECUTED HEIGHT = 12.500 M
 05. DEPTH OF BUILDING = 09.475 M
 06. FRONTAGE OF PLOT = 16.400 M
 07. TREE COVER AREA = 1.800 SQM
 08. AREA OF EXISTING STRUCTURE = 15.538 SQM

09. EXECUTED AREA :

FLOORS	GROSS COVERED AREA (SQM)	CUTOUT STAIR WELL (SQM)	LIFT WELL (SQM)	NET COVERED AREA (SQM)	EXEMPTED AREA STAIR & LOBBY (SQM)	LIFT LOBBY (SQM)	NET FLOOR AREA (SQM)
GROUND FLOOR	107.403	0.000	0.000	107.403	11.265	1.822	94.316
1ST FLOOR	107.403	1.125	1.875	104.403	11.265	1.822	91.316
2ND FLOOR	107.403	1.125	1.875	104.403	11.265	1.822	91.316
3RD FLOOR	107.403	1.125	1.875	104.403	11.265	1.822	91.316
TOTAL	429.612	3.375	5.625	420.612	45.060	7.288	368.264

10. EXECUTED TENEMENTS & CAR PARKING CALCULATION :
 (A) RESIDENTIAL :

MARKED	TENEMENT SIZE (SQM)	PROPORTIONAL AREA TO BE ADDED (SQM)	ACTUAL TENEMENT AREA (SQM)	No. OF TENEMENT (SQM)	REQUIRED CAR PARKING (SQM)
A	48.080	11.832	59.912	3	1
B	42.287	10.406	52.693	3	

11. (B) MERCANTILE RETAIL :
 (i) EXECUTED SHOP BUILT-UP AREA = 27.491 SQM
 (ii) EXECUTED SHOP CARPET AREA = 23.808 SQM
 12. TOTAL REQUIRED EXECUTED CAR PARKING = 1 No.
 13. TOTAL REQUIRED SANCTIONED CAR PARKING = 1 No
 14. PERMISSIBLE AREA FOR PARKING = 25.000 SQM
 15. EXECUTED AREA OF PARKING = 60.931 SQM
 16. PERMISSIBLE F.A.R = 1.75
 17. EXECUTED F.A.R = (368.264 - 25.000) / 196.933 = 1.743 < 1.75
 18. EXECUTED OVER HEAD TANK AREA = 5.44 SQM
 19. EXECUTED STAIR HEAD ROOM AREA = 14.48 SQM
 20. ROOF STRUCTURE AREA = 4.8 SQM.
 21. TERRACE AREA = 107.403 SQM
 22. AREA OF CUPBOARD = 8.1 SQM
 23. EXECUTED ADDITIONAL AREA FOR FEES = 27.38 SQM

CERTIFICATE OF STRUCTURAL ENGINEER

I DO HEREBY CERTIFY THAT THE G+11 STORED RESIDENTIAL BUILDING ON PREMISES NO-1336, NAYABAD, WARD NO-109, BOROUGH-XII, SANCTIONED WIDE B.P. NO.-2023120235, DATED-17.08.2023, & ALSO REGULARIZED U/R 26(2a) & (2b) OF K.M.C. ACT 1980, APPROVED BY E.E.(C)/BLDG./BR-XII, DATE-31.05.2025, THE WORK SUPERVISED BY ME & HAS BEEN COMPLETED TO BEST OF MY SATISFACTION. THE WORKMANSHIP AND ALL THE MATERIALS (TYPE & GRADE) HAVE BEEN USED STRICTLY IN ACCORDANCE WITH GENERAL AND DETAILED SPECIFICATION. NO PROVISION OF K.M.C. ACT 1980, BUILDING RULE 2009 HAVE BEEN VIOLATED IN COURSE OF WORK. THE STRUCTURE IS SAFE AND STABLE IN ALL RESPECT & FIT FOR HUMAN HABITATION.

ASOK CHAKRABARTI
 E.S.E. - CLASS - I / 135
 NAME OF STRUCTURAL ENGINEER

DIGITAL SIGNATURE OF E.E.(C)/BLDG./BR.- XII

DECLARATION OF L.B.S.
 I CERTIFIED WITH FULL RESPONSIBILITY THAT THE BUILDING PLAN HAS BEEN DRAWN UP AS STANDS DEFECT ON THE PREMISES NO-1336, NAYABAD, WARD NO-109, BOROUGH-XII, SANCTIONED WIDE B.P. NO.-2023120235, DATED-17.08.2023, & ALSO REGULARIZED U/R 26(2a) & (2b) OF K.M.C. ACT 1980, APPROVED BY E.E.(C)/BLDG./BR-XII, DATE-31.05.2025, THE CONSTRUCTION OF BUILDING WORK HAS BEEN SUPERVISED BY ME & COMPLETED IN ACCORDANCE WITH THE SANCTIONED PLAN AND TO MY BEST SATISFACTION. THE WORKMANSHIP AND THE MATERIALS (TYPE AND GRADE) HAVE BEEN USED STRICTLY IN ACCORDANCE WITH GENERAL AND DETAILS SPECIFICATION. NO PROVISION OF K.M.C. ACT 1980 AND K.M.C. BUILDING RULES 2009 HAVE BEEN VIOLATED IN COURSE OF THE WORK. THE BUILDING IS FIT FOR HABITABLE USE FOR WHICH IT HAS BEEN ERECTED.

BIBHUTI BHUSAN DAS
 L.B.S. - CLASS - I / 1410
 NAME OF L.B.S.

DECLARATION OF OWNER / APPLICANTS

I DO HERE BY DECLARE WITH FULL RESPONSIBILITY THAT, I HAVE FOLLOWED THE INSTRUCTION OF L.B.S. & E.S.E DURING CONSTRUCTION OF THE BUILDING (AS PER BS PLAN) K.M.C. AUTHORITY WILL NOT BE RESPONSIBLE FOR STRUCTURAL STABILITY OF THE BUILDING & ADJOINING SUPER STRUCTURE IF ANY SUBMITTED DOCUMENT ARE FAKE. THE K.M.C. AUTHORITY WILL REVOKE THE SANCTION PLAN/COMPLETION PLAN. PLOT IS IDENTIFIED BY US. ALL FLOORS ARE MARBLE FINISHED.

SRI AVISHEK MONDAL
 NAME OF OWNER / APPLICANT

GROUND FLOOR PLAN, PLAN & SECTION OF S.U.G.WATER RESERVOIR & SEPTIC TANK, SITE PLAN, KEY PLAN.

PROJECT :
 FULL COMPLETION PLAN OF A G + 1 + 1 + 1 STORED RESIDENTIAL BUILDING OF HEIGHT 12.5 M AT KMC PREMISES No. - 1336, NAYABAD, WARD No. - 109, BOROUGH-XII, KOLKATA - 700099. R. S. & L.R. DAG No. - 157, R.S. KHATIAN No. - 75, L.R. KHATIAN No. - 2753, MOUZA - NAYABAD, J. L. No. - 25, TOUZI NO - 56, P. S. - PANCHASAYAR., DIST. SOUTH 24 PGS., VIDE SANCTIONED B.P. NO - 2023120235, DATED - 17.08.2023, & ALSO REGULARIZED U/R 26(2a) & (2b) OF KMC ACT 1980, BUILDING RULE 2009, APPROVED BY E.E. (C), /BLDG./BR-XII, DATED - 31/05/2025.

